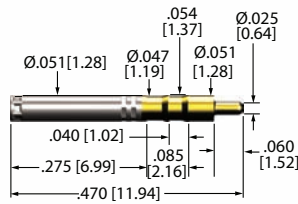


# ICS70 Series ~ 0.70mm Contacts

## PINS

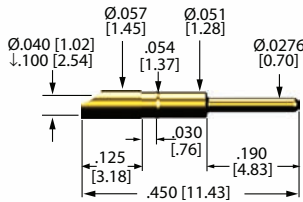
### PCB Termination

## SOCKETS

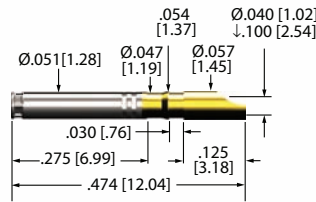


ICS70 B1 S2P1

### Solder Cup Termination

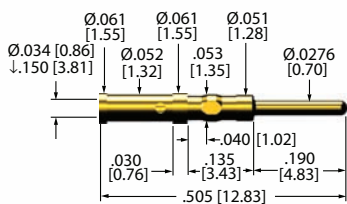


ICS70 B1 P2S6

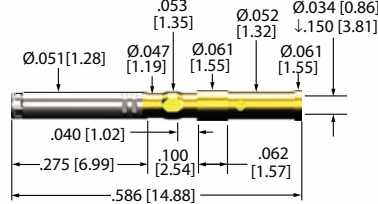


ICS70 B1 S2S6

### Crimp Termination



ICS70 B1 P2C5



ICS70 B1 S2C5

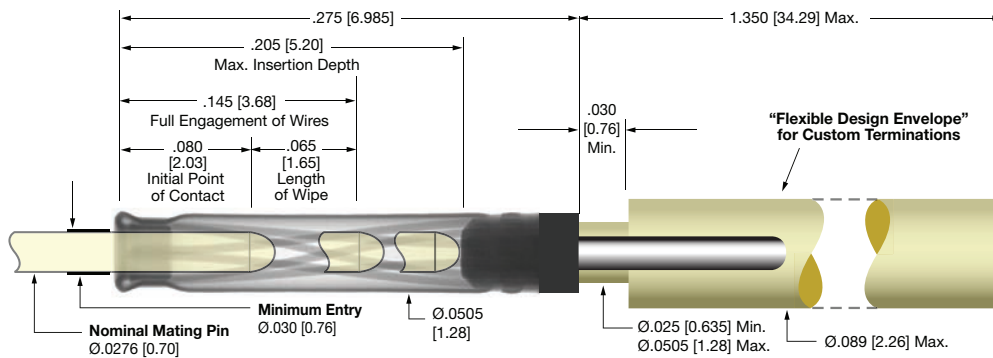
## MECHANICAL

## SPECIFICATION

Insertion/Extraction Force	<3oz [85gms] nominal
Retention Force	5.0 lbs [22.2 N]
Durability (EIA 364-9C)	Up to 100,000 cycles, <2 mΩ change
Operating Temperature	-65°C to 125°C
Wire Size for Crimp & Solder Cup	22-26 AWG
Mechanical Shock (EIA 364-27B)	500 g no damage, no discontinuities >10 nanosec
Random Vibration (EIA 364-28D) cond VI, Ltr I	43.92 g rms no damage, no discontinuities >10 nanosec
<b>ELECTRICAL</b>	
Resistance (LLCR-EIA 364-23B)	< 6 mΩ
Current Rating	4.5 Amp nominal for 30°C ΔT with 22 AWG wiring
<b>MATERIALS</b>	
Contact Wires	Beryllium Copper, 50 μ-inch of gold plating over nickel
Sleeve	Stainless Steel
All Terminations	Brass, 10 μ-inch of gold plating over nickel
Mating Pins	Brass, 50 μ-inch of gold plating over nickel

US Patent No. 6,767,260

## ICS70 Press-Fit Socket — Flexible Design Envelope for Custom Terminations



All dimensions are in inches [mm]. All specifications subject to change without notice. • ISO 9001:2008

